

## Rotary Valve

### ABS 450x1000/1500

Aagaard rotary valve is intended for pressureless extraction of chips, granules, dust, grain etc. to silo, container or other machinery.

The valve can be mounted under the filter, cyclone or chain conveyor. It is divided into 6 chambers and is supplied with durable 5mm EPDM rubbers. Other types of rubber can be supplied by appointment.

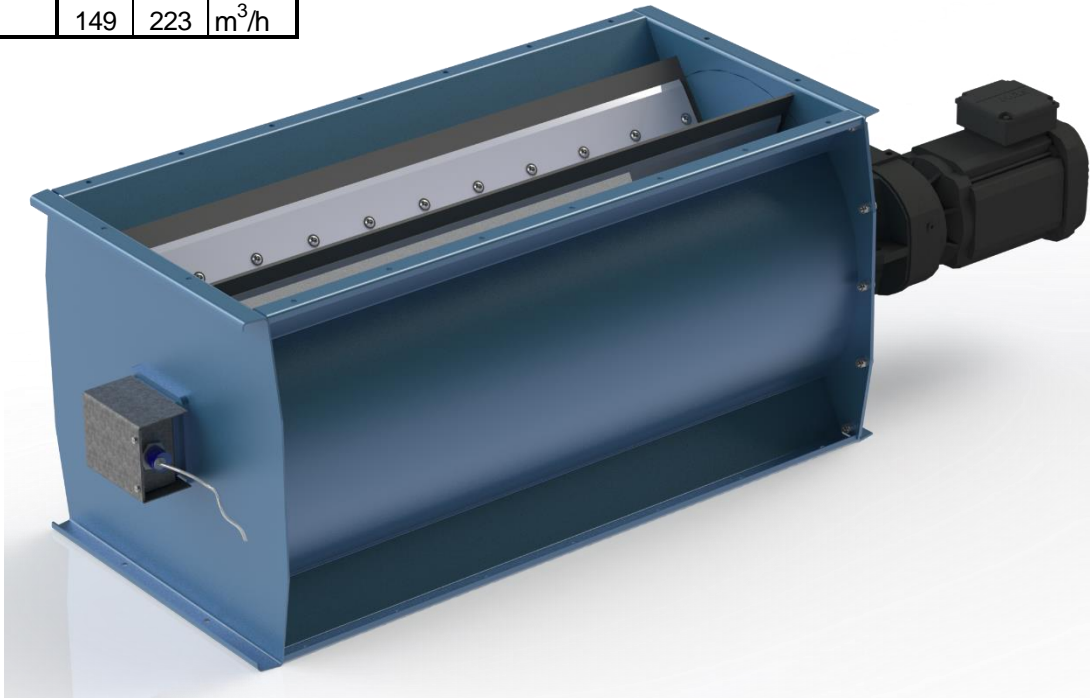
The valve is with a robust 1.5kW direct-coupled gear motor and with inductive rotary guard.

The valve is Ex II 2D certified for zones 21 and 22 inside.

Operating pressure at dust side:  
 ABS 450x1000: -3000 - + 3000 Pa.  
 ABS 450x1500: - 2000 - + 3000 Pa.

Capacity:

	ABS 450x		
Filling	1000	1500	
100%	298	447	m <sup>3</sup> /h
50%	149	223	m <sup>3</sup> /h

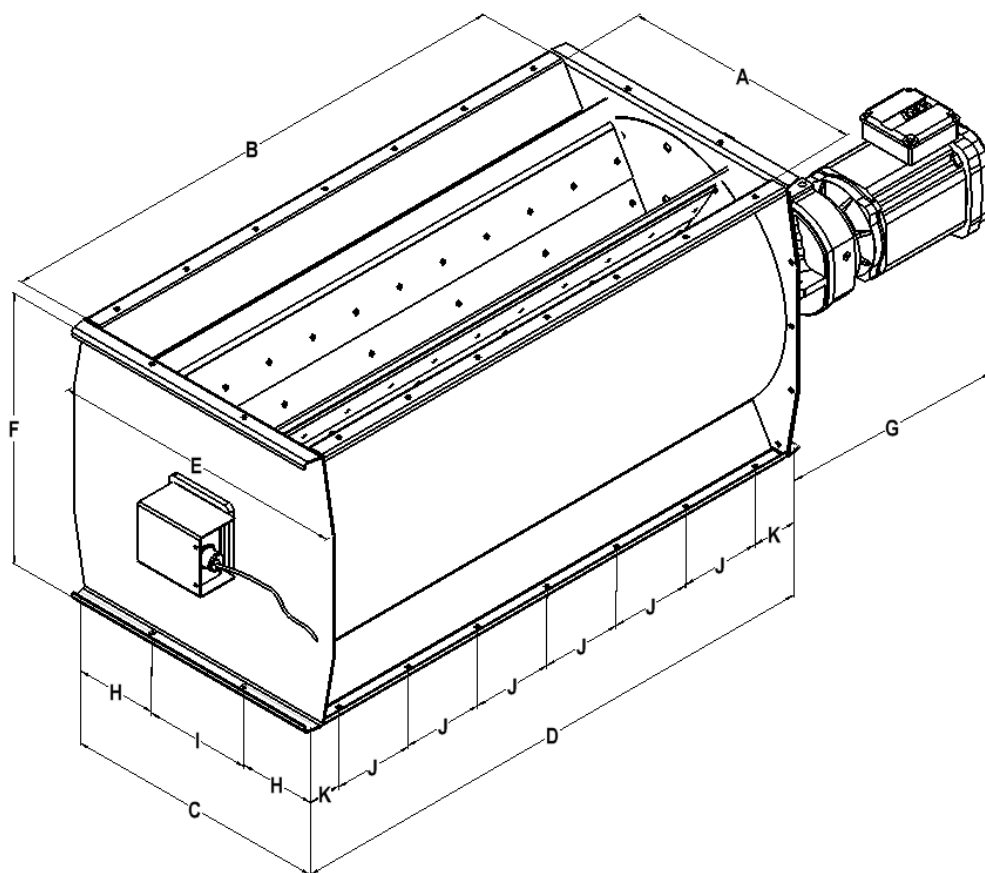


# Rotary Valve.

## ABS 450x1000 / 450x1500

### Technical data:

The housing is made of welded certified sheetmetal painted with durable industrial paint.  
The rotor is made of a robust shaft with rubbers mounted on steel blades.



Type	A	B	C	D	E	F	G	H	I	J	K	Weight	Item No.
ABS 450x1000	450	1000	510	1060	230	506	530	155	200	150	80	180	161300
ABS 450x1500	450	1500	510	1560	230	506	530	155	200	150	105	243	161400

# Rotary Valve.

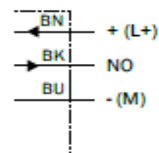
## Connection

### Electrical

Gearmotor FAF57DRN90L4	28 min <sup>-1</sup> 230/400Vac - 1,5kW IE3 5,9/3,4 A	80000622
Inductive sensor (1pulse/rev.)	10..30Vdc M30 PNP NO	1218



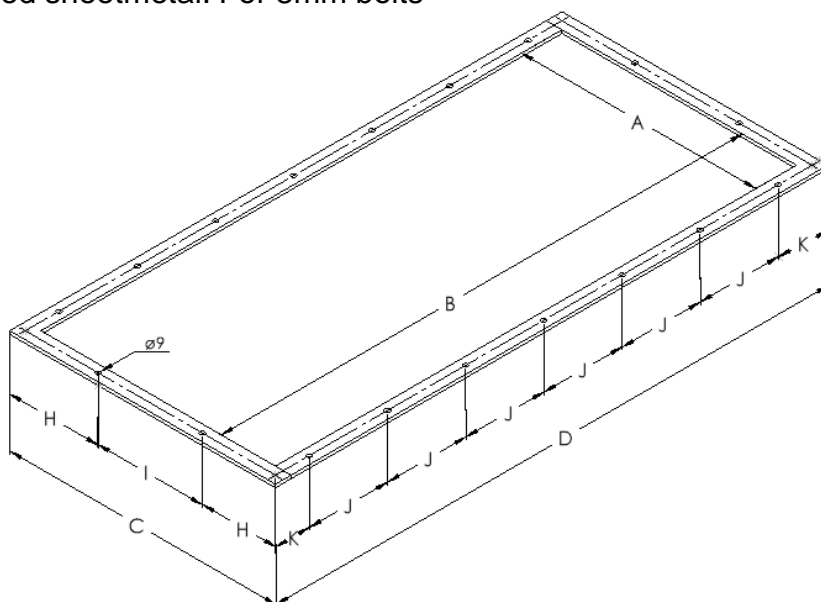
cd-001



## Options

### Flange for rotary valve

6mm Galvanized sheetmetal. For 8mm bolts



Type	A	B	C	D	H	I	J	K	Item No.
ABS 450x1000	450	1000	510	1060	155	200	150	80	161207-G
ABS 450x1500	450	1500	510	1560	155	200	150	105	161413-G